

Single impeller centrifugal pumps manufactured cast iron, suitable for pressure boosting of water for irrigation, and non-aggressive liquids for civil and industrial uses.  
CR series is fitted With an open impeller for suspended solids handling.



#### SPECIFICATIONS

- \* Maximum working pressure:  
6 bar for CF 150-200-300  
8 bar for CP 400-550
- \* Maximum liquid temperature:  
40°C for CF 50-80-100  
90°C for other models

#### MATERIALS

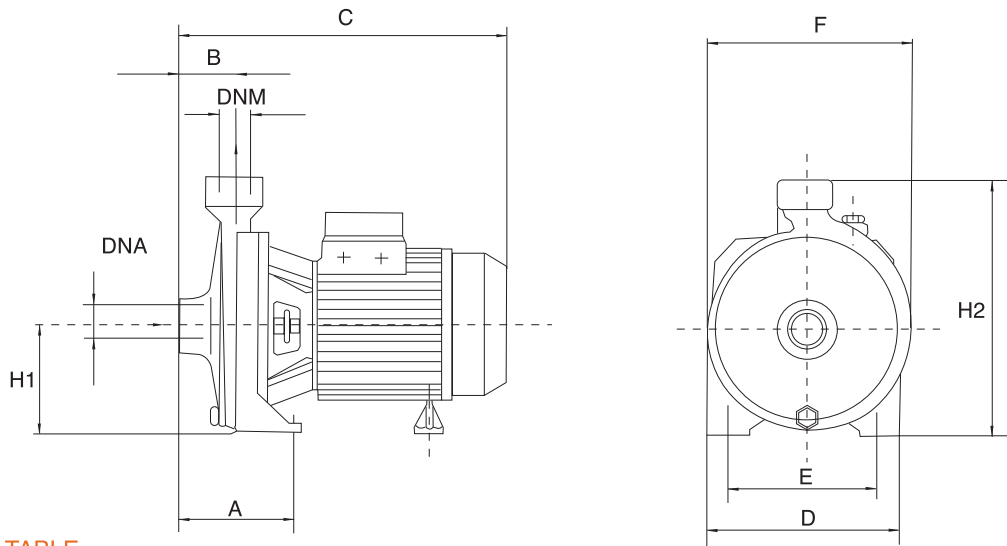
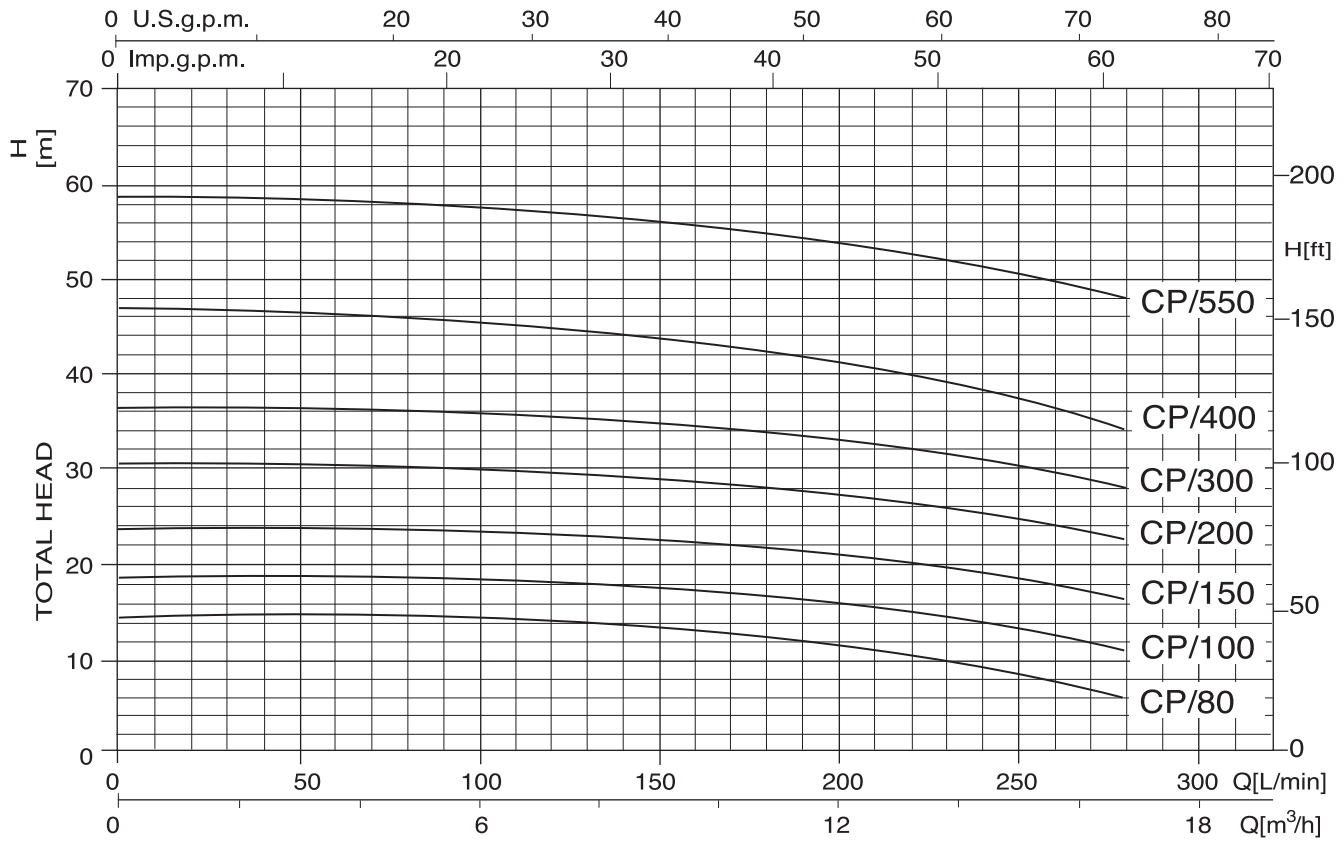
- \* Pump body in cast iron
- \* Mechanical seal in carbon/ceramic/NBR
- \* Impeller: - in tecnopolymer for CF 50-80-100  
- in brass for CF 150-200-300  
CP 200-300-400-550  
CS 80-100-150-200  
- in cast iron for CP 80-100-150  
- Brass Impeller on request  
- Open Impeller, brass material for CR 80-100  
(passage of solids : maximum diameter of 10 mm.)
- \* Shaft: - in stainless steel
- \* Bracket: - in alluminium for CF 50-80-100  
CP 80-100  
CS 80-100  
CR 80-100  
- in cast iron for the other models

#### TECHNICAL DATA

- \* T.E.F.C. 2 poles motor
- \* Insulation class F
- \* Protection degree IP44 ( IP55 on request )  
1~230V ± 10% 50Hz, 3~230/400V ± 10% 50Hz
- \* Permanent split capacitor and automatic thermal overload protection for single-phase version
- \* Thermal protection to be provided by the user for three-phase version

# PERFORMANCE CURVES CP

( according to ISO 9906 grade 2 )



DIMENSIONAL TABLE

TYPE	DIMENSION IN mm.							SUCTION DNA	DISCHARGE DNM	Weight Kg	
	A	B	C	D	E	F	H1				H2
CP/80	105	50	325	180	140	188	100	250	2"	1 1/4"	12,5
CP/100	105	50	325	180	140	188	100	250	2"	1 1/4"	14
CP/150	105	50	353	180	140	188	100	250	2"	1 1/4"	20,5
CP/200	115	58	364	200	160	210	110	270	2"	1 1/4"	25
CP/300	115	58	373	200	160	210	110	270	2"	1 1/4"	28
CP/400	126	60	430	240	190	247	132	332	2"	1 1/4"	38
CP/550	126	60	430	240	190	247	132	332	2"	1 1/4"	41