



A QUALITY PRODUCT

# UN Unions

**EXPLOSIONPROOF**

☆  
**For UL.60079-1 Standard Class I,II Div.1 and 2 Groups B,C,D,E,F and G**  
**For IEC.60079-0/1 Standard Zone 1 and Zone 2**

● **Technical data**

Type of Protection: Ex d IIA T6  
 Conforming to : Standards IEC 60079-1 or UL 60079-1  
 Marking for test : Ex II2G  
 Degree of Protection : IP54 / 66 acc.To IEC 60529  
 Ambient Temp. (Ta) : -20°C to+ 75 °C  
 Type :UN  
 Protection class for UL. : Class I, Division1 or 2 Group.B,C,D  
 Class II, Division 1 or 2 Groups.E,F,G  
 Class III  
 Protection class for IEC : Zone1and Zone 2  
 Conduit hub - 1/2" - 4" NPT.



ISO9001:2008



EUN 1 - EUN 3

● **Applications:**

The EUN unions are used in a conduit system in hazardous areas to connect conduit to conduit or conduit fitting, provide future modification of the conduit system, use with threaded rigid steel conduit (RSC) or threaded in intermediate metal conduit (IMC).



EUN 4 - EUN 10

● **Features:**

- Hand tightening of the union sleeve provide easy installation.
- Strong and durable construction.

● **Note:**

- ☆ Also suitable to use in Class I, Div. 1 and 2, Group B for EUN1, EUN2, EUN3

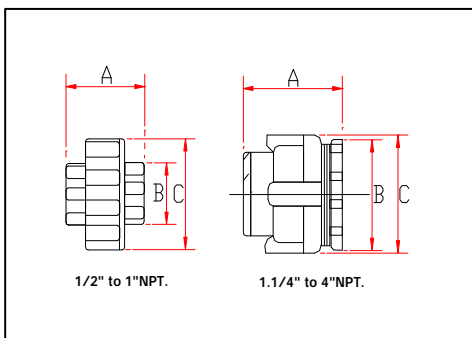
● **Standard Materials:**

- Copper free aluminium

● **Standard Finishes:**

- Copper free aluminium - Epoxy-polyester powder

**Catalogue Numbers and Dimensions:**



Conduit Size, NPT ( inch )	Cat., No.	Dimension in mm.		
		A	B	C
1/2"	EUN 1 ☆	52	33	48
3/4"	EUN 2 ☆	49	37	52
1"	EUN 3 ☆	56	46	62
1.1/4"	EUN 4	56	65	72
1.1/2"	EUN 5	69	78	83
2"	EUN 6	73	93	105
2.1/2"	EUN 7	75	108	125
3"	EUN 8	75	125	135
3.1/2"	EUN 9	100	140	160
4"	EUN 10	115	160	175

# EUNL Elbow Unions



## EXPLOSIONPROOF

For UL.60079-1 Standard Class I,II Div.1 and 2 Groups B,C,D,E,F and G <sup>☆</sup>

For IEC.60079-0/1 Standard Zone 1 and Zone 2

### ● Technical data

- Type of Protection: Ex d IIA T6
- Conforming to : Standards IEC 60079-1 or UL 60079-1
- Marking for test : Ex II2G
- Degree of Protection : IP54 / 66 acc.To IEC 60529
- Ambient Temp. (Ta) : -20°C to+ 75 °C
- Type :UN
- Protection class for UL. : Class I, Division1 or 2 Group.B,C,D <sup>☆</sup>  
 Class II, Division 1 or 2 Groups.E,F,G  
 Class III
- Protection class for IEC : Zone1and Zone 2
- Conduit hub - 1/2" - 2" NPT.



EUNL 1 - EUNL 6

### ● Applications:

- The EUNL Elbow unions are used in a conduit system in hazardous areas to connect conduit to conduit fitting.
- provide future modification of the conduit system.
- use with threaded rigid steel conduit (RSC) or threaded in termediate metal conduit (IMC).

### ● Features:

- Hand tightening of the union sleeve provede easy installation.
- Strong and durable construction.
- Female and Male for conduit RSC or IMC

### ● Standard Materials:

- Copper free aluminium

### Note:

- ☆ Also suitable to use in Class I, Div. 1 and 2, Group B for EUNL1, EUNL2, EUNL3

### ● Standard Finishes:

- Copper free aluminium - Epoxy-polyester powder

### Catalogue Numbers and Dimensions:

	Conduit Size, NPT	Cat. No.	Dimension in mm.		
	( inch )		A	B	C
	1/2"	EUNL 1 ☆	48	79	72
	3/4"	EUNL 2 ☆	52	79	78
	1"	EUNL 3 ☆	62	83	93
	1.1/4"	EUNL 4	72	88	108
	1.1/2"	EUNL 5	83	95	125
	2"	EUNL 6	105	150	156