

# ALL Cable Glands For Non-Aromored cable



## EXPLOSIONPROOF

For UL.60079-1 Standard Class I Div.1, 2 Groups C,D

ClassII Div.1 and 2 Groups E,F and G

For IEC.60079-0/1 Standard Zone 1 and Zone 2

### Technical data

Type of Protection: Ex d IIA T6

Conforming to : Standards IEC 60079-1 or UL 60079-1

Marking for test : Ex II2G

Degree of Protection : IP65 acc.To IEC 60529

Ambient Temp. (Ta) : -20°C to+ 75°C

Type :ALL

Protection class for UL. : Class I, Division 1,2 Groups C,D

Class II, Division 1, 2 Groups.E,F,G

Class III

Protection class for IEC : Zone1and Zone 2

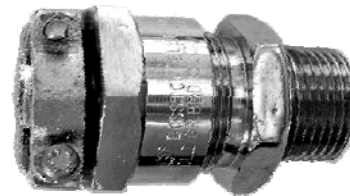
Conduit hub - 1/2" - 3.1/2" NPT. / Cable O.D. - 9 to 80 mm.



ISO9001:2008

### Applications:

ALL cable fitting for use with non-amored cable type MV (unarmored), TC in hazardous location or SE (round), UF ,CVV ,VCT and NYY in non-hazardous locations to provide cord or cable connection by mens of passing into cabinets, junction boxes, panelboards etc. provide oil and water resistant.



## ALL

### Features:

- Complete range of sizes for round cord or cable.
- Bronze construction is finished with chromium plate for corrosion resistant.
- Cable clamp provides a non-slip termination.
- Neoprene bushing provides oil and water resistant seal.
- Slip ring prevents the bushing twisted during assembly.
- May be installed in either horizontal or vertical position.

### Standard Finishes:

- Brass
- Chromium plated
- Stainless
- Natural

### Standard Materials:

- Body, gland nut with cable clamp - Brass
- Slip ring - Stainless steel
- Bushing - Neoprene
- Bolt - Stainless steel



Gland nut  
with Cable clamp



Slip ring



Neoprene  
bushing



Body  
(NPT , Male thread)

★ May be used in hazardous locations only with specific cords or cabes and installed in accordance with NEC requirements

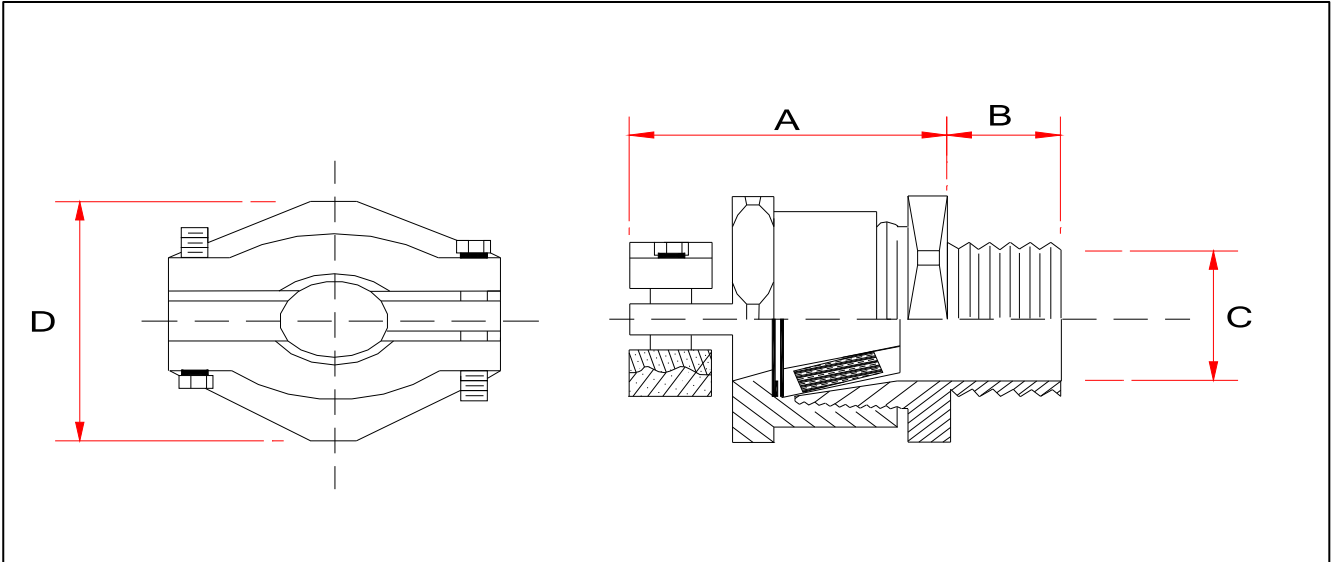
# ALL Cable Glands For Non-Aromored cable

EXPLOSIONPROOF

For UL.60079-1 Standard Class I Div. 1,2 Groups C,D

ClassII Div.1 and 2 Groups E,F and G

Catalogue Numbers and Dimensions: in mm. For IEC.60079-0/1 Standard Zone 1 and Zone 2



Cable Jacket Outer Diameter (mm.)	Male Thread NPT Size (inch)	Cat.,No.	Dimensions in mm.			
			A	B	C	D
9 - 14	1/2"	ALL 114	45	16	14	37
15 - 19	3/4"	ALL 219	49	21	19	35
20 - 22	1"	ALL 322	58	20	26	35
23 - 24	1"	ALL 324	58	20	26	35
25 - 27	1.1/4"	ALL 427	66	19	34	61
28 - 30	1.1/4"	ALL 430	66	19	34	61
31 - 36	1.1/2"	ALL 536	70	19	39	69
37 - 40	1.1/2"	ALL 540	70	19	39	69
41 - 48	2"	ALL 648	76	19	49	80
49 - 54	2.1/2"	ALL 754	77	30	59	89
55 - 58	2.1/2"	ALL 758	77	30	59	89
59 - 64	3"	ALL 864	77	30	71	105
65 - 70	3"	ALL 870	77	30	71	105
71 - 76	3.1/2"	ALL 976	80	30	81	117
77 - 80	3.1/2"	ALL 980	80	30	81	117

# ALG Cable Glands For Aromored cable



**Bosston**

A QUALITY PRODUCT

**EXPLOSIONPROOF** ★

For UL.60079-1 Standard Class I Div. 1,2 Groups C,D

ClassII Div.1 and 2 Groups E,F and G

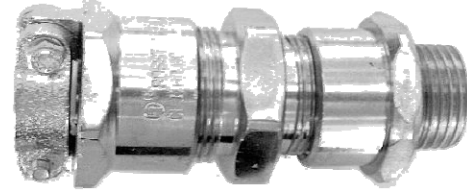
For IEC.60079-0/1 Standard Zone 1 and Zone 2



ISO9001:2008

● **Technical data**

- Type of Protection: Ex d IIA T6
- Conforming to : Standards IEC 60079-1 or UL 60079-1
- Marking for test : Ex II2G
- Degree of Protection : IP66 acc.To IEC 60529
- Ambient Temp. (Ta) : -20°C to+ 75°C
- Type :ALG
- Protection class for UL. : Class I, Division 1,2 Groups C,D  
Class II, Division 1, 2 Groups.E,F,G  
Class III
- Protection class for IEC : Zone1and Zone 2
- Conduit hub - 1/2" - 3.1/2" NPT. / Cable O.D. - 9 to 80 mm.



**ALG**

● **Applications:**

ALG cable fitting for use with armored, metal clad, jacketed cable type MC, MV and AC which are installed in hazardous or non-hazardous locations to secure and seal cable entrance into enclosures, junction boxes panelboards etc. provide grounding continuity for cable. provide oil and water resistant.

● **Standard Materials:**

- Body, gland nut with cable clamp - Bronze
- Slip ring - Stainless steel
- Bushing - Neoprene
- Bolt - Stainless steel
- Armor grip - Split lead

● **Features:**

- Easily assembled, may be installed in either horizontal or vertical position.
- Bronze construction is finished with chromium plate for corrosion resistant.
- Cable clamp provides a non-slip termination.
- Armor grip provides positive grounding continuity and superior pull-out resistant.
- Neoprene bushing provides oil and water resistant seal.
- Slip ring prevents the bushing twisted during assembly.

● **Standard Finishes:**

- Bronze - Chromium plated
- Stainless - Natural



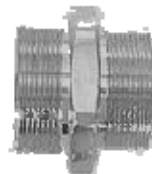
Gland nut with Cable clamp



Slip ring



Neoprene bushing



Intermediate body



Armor grip



Body (NPT, Male thread)

★ *May be used in hazardous locations only with specific cords or cables and installed in accordance with NEC requirements*



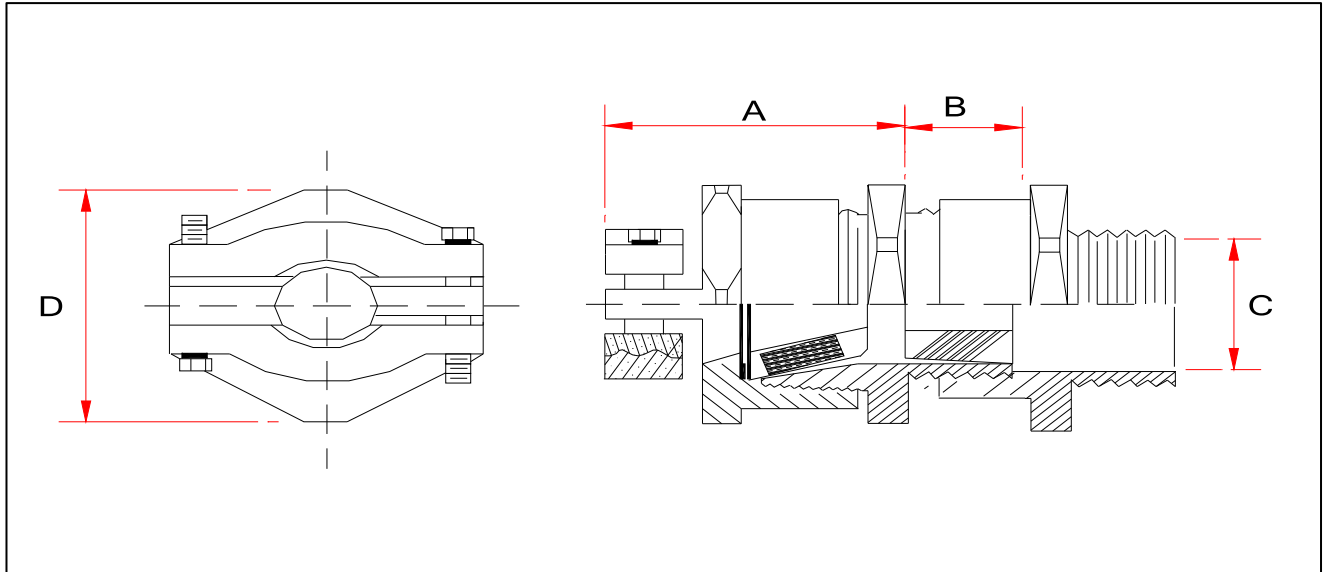
# ALG Cable Glands For Aromored cable

EXPLOSIONPROOF

★  
For UL.60079-1 Standard Class I Div. 1,2 Groups C,D

ClassII Div.1 and 2 Groups E,F and G

Catalogue Numbers and Dimensions: in mm. For IEC.60079-0/1 Standard Zone 1 and Zone 2



Cable Jacket Outer Diameter (mm.)	Armor Outer Diameter ( mm. )	Cat.,No.	Male Thread NPT Size (inch)	Dimensions in mm.			
				A	B	C	D
9 - 14	5.5 - 10.5	ALG 114	1/2"	45	16	14	37
15 - 19	11.5 - 15.5	ALG 219	3/4"	49	21	19	35
20 - 22	16.4 - 18.4	ALG 322	1"	58	20	26	35
23 - 24	19.4 - 20.4	ALG 324	1"	58	20	26	35
25 - 27	21.4 - 23.4	ALG 427	1.1/4"	66	19	34	61
28 - 30	24.3 - 26.1	ALG 430	1.1/4"	66	19	34	61
31 - 36	27.0 - 31.8	ALG 536	1.1/2"	70	19	39	69
37 - 40	32.7 - 35.4	ALG 540	1.1/2"	70	19	39	69
41 - 48	36.4 - 43.0	ALG 648	2"	76	19	49	80
49 - 54	44.0 - 48.6	ALG 754	2.1/2"	77	30	59	89
55 - 58	49.5 - 52.2	ALG 758	2.1/2"	77	30	59	89
59 - 64	53.0 - 58.0	ALG 864	3"	77	30	71	105
65 - 70	59.0 - 63.5	ALG 870	3"	77	30	71	105
71 - 76	64.4 - 68.2	ALG 976	3.1/2"	80	30	81	117
77 - 80	69.8 - 72.6	ALG 980	3.1/2"	80	30	81	117



# ALL3 Cable Glands For Non-Aromored cable



## TECHNICAL DATA

- Type of protection : Ex d IIC T6 (for Zone1&2)
- Conforming to : IEC60079-1
- Marking : Ex II2G Exd IIC T6
- Ambient temp.(Ta) : - 20°C to + 70°C
- Degree of protection : IP66 acc.to IEC60529



ISO9001:2008

## APPLICATIONS:

- For use with non-armored cable type MV(unarmored),TC in hazardous location or SE (round),UF,CVV,VCT and NYY in non-hazardous locations to
- Provide cord or cable connection by means of passing in to cabinets junction boxes, panelboards etc
- Provide oil and water resistant.

## STANDARD MATERIALS:

- Body, gland nut : Bronze
- Slip ring : Stainless steel
- Bushing : Neoprene
- Bolt : Stainless steel

## FEATURES:

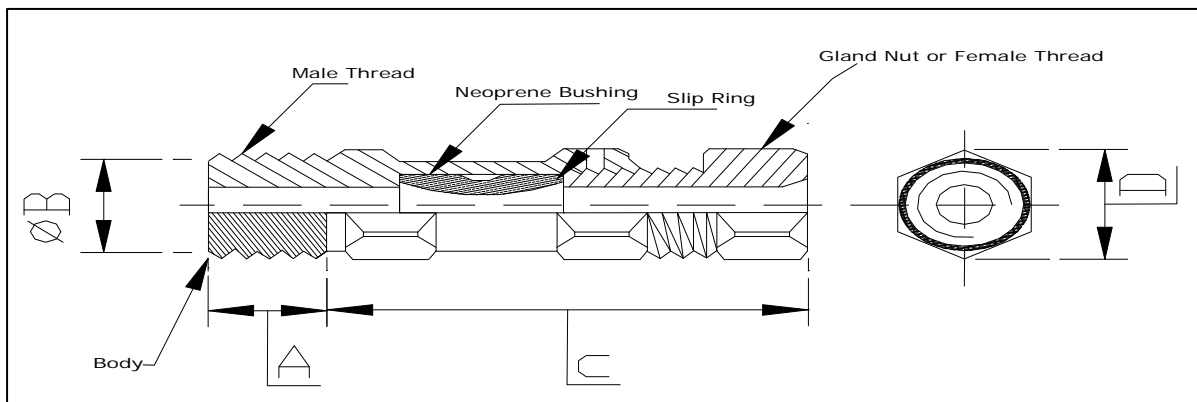
- Complete range of sizes for round cord or cable.
- Bronze construction is finished with chromium plate for corrosion resistant.
- Cable clamp provides a non-slip termination.
- Neoprene bushing provides oil and water resistant seal.
- May be installed in either horizontal or vertical position.

## STANDARD FINISHES:

- Bronze - Chromium plated
- Stainless steel - Natural



## CATALOGUE NUMBER



Cable Jacket Outer Diameter (mm.)	Entries Thread		Male Thread Cat.,No.	Male and Female Thread Cat.,No.	Dimensions in mm.			
	NPT	Metric			A	B	C	D
9 - 14	1/2"	M20x 1.5	ALL3-114M	ALL3-114MF	14.5	15	68	25
15 - 19	3/4"	M25x 1.5	ALL3-219M	ALL3-219MF	14.5	20	68	32.5
20 - 24	1"	M32x 1.5	ALL3-324M	ALL3-324MF	16.5	25	82	39.5
25 - 30	1.1/4"	M40x 1.5	ALL3-430M	ALL3-430MF	16.5	32	82	50
31 - 40	1.1/2"	M50x 1.5	ALL3-540M	ALL3-540MF	16.5	42	82	58
41 - 48	2"	M63x 1.5	ALL3-648M	ALL3-648MF	16.5	50	82	73
49 - 58	2.1/2"	-	ALL3-658M	ALL3-658MF	30	59	92	80
59 - 70	3"	-	ALL3-770M	ALL3-770MF	30	71	92	95
71 - 80	3.1/2"	-	ALL3-880M	ALL3-880MF	30	81	92	105



# ALF2 Cable Glands For Non-Aromored cable



**FLAMEPROOF**

Ex d IIC Zone 1 and 2 ( acc. To IEC60079-1)

★ NEC. Class I, Div. 2 Groups B,C,D

Class II, Div. 1 and 2 Groups E,F,G

Class III,



ALF 2

**Protection Index:**

IP 66 ( acc. To IEC60529)

**Applications:**

ALF 2 cable glands for use with round non-armored cable from flexible coupling to enclosure.

They are suitable to be installed in potentially explosive atmospheres.

**Features:**

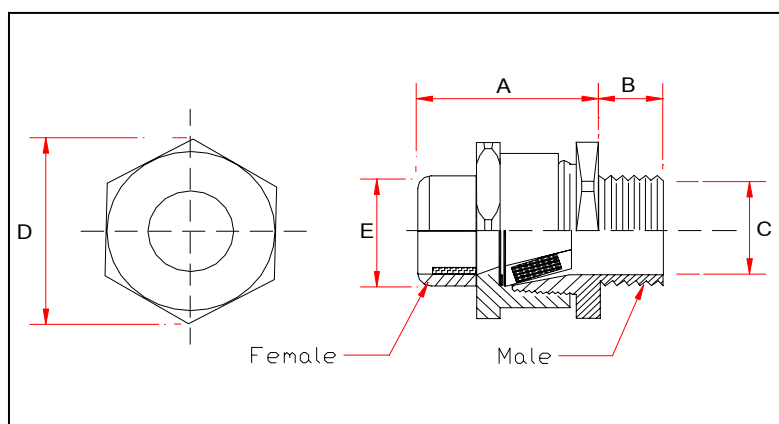
- Bronze construction, finished with chromium plate.
- Male thread on one end and female thread on another end for flexible coupling or conduit.
- Neoprene bushing provides oil and water resistant seal.
- Slip ring prevents the bushing twisted during assembly.

**Standard Materials:**

- Body, gland nut - Bronze
- Bushing, O-ring - Neoprene
- Slip ring - Stainless steel

**Standard Finishes:**

- Bronze - Chromium plated
- Stainless steel - Natural



Cable Jacket Outer Diameter (mm.)	Cat.,No.	Male Thread NPT Size (inch)	Dimensions in mm.				
			A	B	C	D	E
9 - 14.5	ALF2 - 114	1/2"	51	16	14	37	14
9 - 14.5	ALF 2 - 214	3/4"	51	21	19	35	19
14.6 - 19.5	ALF2 - 319	1"	55	20	26	35	26
19.6 - 24.5	ALF2 - 424	1.1/4"	61	19	34	61	34
24.6 - 30.5	ALF2 - 530	1.1/2"	69	19	34	61	34
30.6 - 40.5	ALF2 - 640	2"	76	19	49	80	49
40.6 - 48.5	ALF2 - 748	2.1/2"	85	19	39	69	39
48.6 - 58.5	ALF2 - 858	3"	90	19	49	80	49

★ May be used in hazardous locations only with specific cords or cables and installed in accordance with NEC requirements.

