



DJM Monitor Boxes For Temperature Controllers



A QUALITY PRODUCT

EXPLOSIONPROOF

For UL.60079-1 Standard Class I, II Div. 2 Groups C,D,E,F and G

For IEC.60079-0/1 Standard Zone 2

Technical data

Type of Protection: Ex d IIA T6

Conforming to : Standards IEC 60079-1 or UL 60079-0/1

Marking for test : Ex II2G

Degree of Protection : IP66 acc.To IEC 60529

Ambient Temp. (Ta) : -20°C to +55°C Temp.class T6

Type :DJM

Protection class for UL. : Class I, Division 1, 2 Group.C,D

Class II, Division 1 or 2 Groups.E,F,G

Class III

Protection class for IEC : Zone 1 , 2

Cable Gland : PG9 and PG6

Contact rating 220V.AC.



ISO9001:2008



DJM

Specification

Body,Cover : Copper-free aluminium alloy with epoxy-polyester powder coated.

Seal gasket : Silicone -40°C to +175°C

Lens : Heat and impact resistant glass

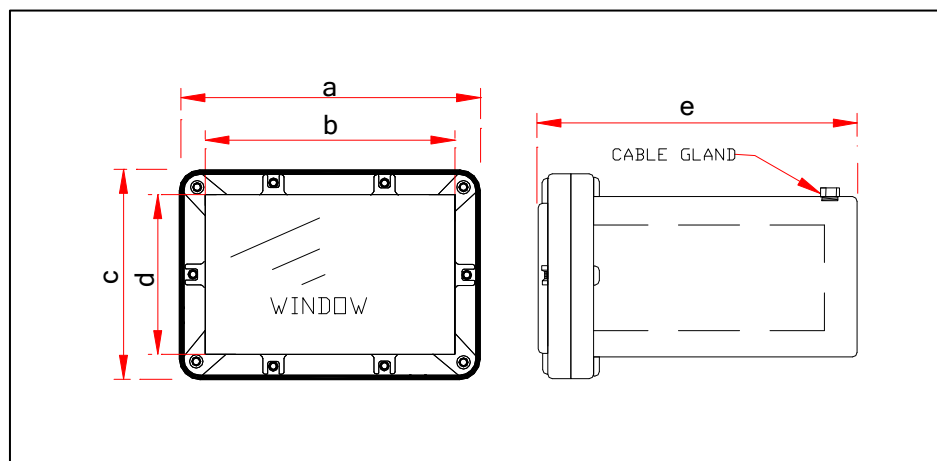
Catalogue Nubmer:

Cat. No.	Cable Gland		Dimension in mm.					Approx. Weight (kgs.)
	Outer Diameter (mm.)		a	b	c	d	e	
	PG6	PG9						
DJM - VD2003	4. - 7	5. - 9	156	88	114	44	157	2

Remark:

In case the enclosures are supplied completely with control units or devices, They will be delivered with conformity certificate and can be used without further testing. supply temperature controllers for VD-2003 series and Vertex brand.

Catalogue Nubmer:





Conduit Outlet Bodies ISB Rectangular Boxes


Bosston

A QUALITY PRODUCT

EXPLOSIONPROOF

For UL.60079-1 Standard Class I,II Div.1 and 2 Groups C,D,E,F and G

For IEC.60079-0/1 Standard Zone 1 and Zone 2



ISO9001:2008

● Technical data

Type of Protection: Ex d IIA T6

Conforming to : Standards IEC 60079-1 or UL 60079-1

Marking for test : Ex II2G

Degree of Protection : IP66 acc.To IEC 60529

Ambient Temp. (Ta) : -20°C to+ 75 °C

Type : ISB

Protection class for UL. : Class I, Division1 or 2 Group.C,D

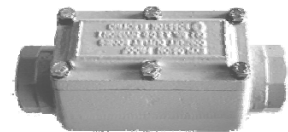
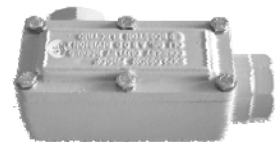
Class II, Division 1 or 2 Groups.E,F,G

Class III

Protection class for IEC : Zone1and Zone 2

Options : Seal NBR rubble or Seal Silicone at front cover for outdoor

Conduit hub - 1/2" - 4" NPT.


ISBB

ISBC

ISBL

ISBR

ISBT

ISBX

● Applications:

The ISB rectangular boxes are designed for use in the conduit system in hazardous areas to

provide opening for tap, splice or pull outlet for conductors.

provide an access to conduit system for maintenance.

change conduit direction.

use with threaded rigid steel conduit (RSC) or intermediate metal conduit (IMC).

use in indoor (IP54) and corrosive locations.

● Features:

- Compact rectangular shape.
- Flat joint between body and cover assures a flame-tight joint.
- Smooth, well-rounded conduit stop in each hub to protect conductor insulation.
- Six different conduit hub arrangements.
- Complete selection of sizes.
- Copper-free aluminium construction for corrosion resistant.

● Standard Materials:

- Body and cover - Copper-free aluminium
- Bolts - Stainless steel

● Standard Finishes:

- Copper-free aluminium - Epoxy-polyester powder
- Stainless steel - Natural

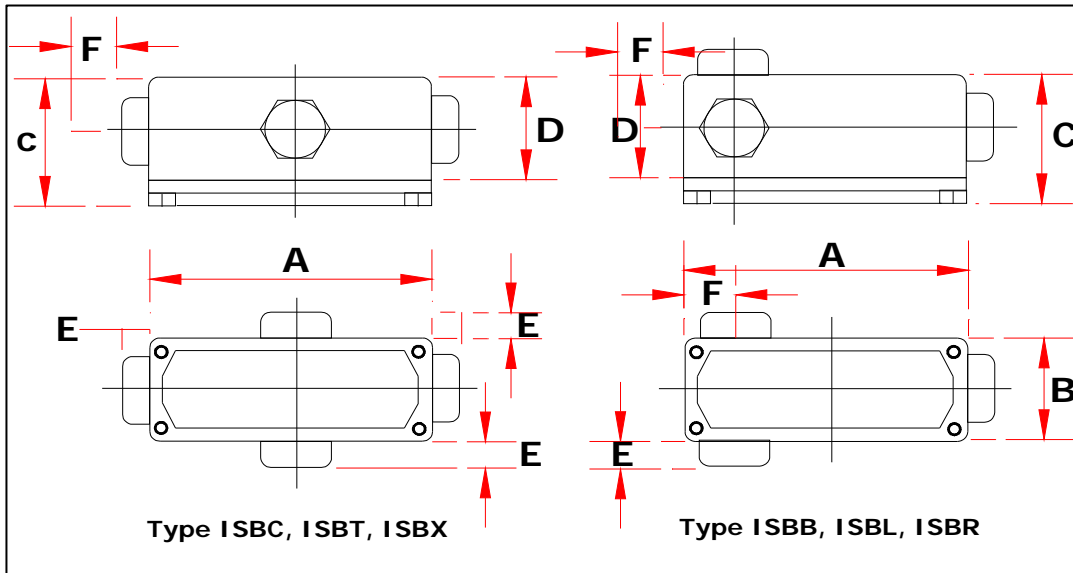


Conduit Outlet Bodies ISB Rectangular Boxes

EXPLOSIONPROOF

For UL.60079-1 Standard Class I,II Div.1 and 2 Groups C,D,E,F and G

For IEC.60079-0/1 Standard Zone 1 and Zone 2



Hub Size. NPT (inch)	Cat.,No.						Dimension in mm.					
							A	B	C	D	E	F
1/2"	ISBB 1	ISBC 1	ISBL 1	ISBR 1	ISBT 1	ISBX 1	101	44	57	40	16	20
3/4"	ISBB 2	ISBC2	ISBL 2	ISBR 2	ISBT 2	ISBX 2	101	44	57	40	16	20
1"	ISBB 3	ISBC 3	ISBL 3	ISBR 3	ISBT 3	ISBX 3	119	60	68	52	22	23
1.1/4"	ISBB 4	ISBC 4	ISBL 4	ISBR 4	ISBT 4	ISBX 4	146	67	79	64	23	32
1.1/2"	ISBB 5	ISBC 5	ISBL 5	ISBR 5	ISBT 5	ISBX 5	178	77	86	71	25	35
2"	ISBB 6	ISBC 6	ISBL 6	ISBR 6	ISBT 6	ISBX 6	211	88	103	87	30	43
2.1/2"	ISBB 7	ISBC 7	ISBL 7	ISBR 7	ISBT 7	ISBX 7	246	119	135	116	36	53
3"	ISBB 8	ISBC 8	ISBL 8	ISBR 8	ISBT 8	ISBX 8	246	119	135	116	36	53
3.1/2"	ISBB 9	ISBC 9	ISBL 9	ISBR 9	ISBT 9	ISBX 9	310	175	190	173	36	77
4"	ISBB 10	ISBC 10	ISBL 10	ISBR 10	ISBT 10	ISBX 10	310	175	190	173	36	77



Conduit Outlet Bodies RB Round Boxes



EXPLOSIONPROOF

For UL.60079-1 Standard Class I,II Div.1 and 2 Groups C,D,E,F and G

For IEC.60079-0/1 Standard Zone 1 and Zone 2

Technical data

- Type of Protection: Ex d IIA T6
- Conforming to : Standards IEC 60079-1 or UL 60079-1
- Marking for test : Ex II2G
- Degree of Protection : IP65 acc.To IEC 60529
- Ambient Temp. (Ta) : -20°C to+ 75 °C
- Type :RB
- Protection class for UL. : Class I, Division1 or 2 Group.C,D
Class II, Division 1 or 2 Groups.E,F,G
Class III
- Protection class for IEC : Zone1and Zone 2
- Options : Seal NBR rubble IP65 at inner cover for outdoor
- Conduit hub - 1/2" - 2" NPT.



ISO9001:2008

Applications:

- The **RB** round boxes are designed for use in the conduit system in hazardous areas to provide opening for tap, splice or pull outlet for conductors.
- provide an access to conduit system for maintenance.
- change conduit direction.
- use with threaded rigid steel conduit (RSC) or intermediate metal conduit (IMC).
- use in indoor or outdoor*1 in damp, wet or corrosive locations.

Features:

- Compact rectangular shape.
- Threaded cover opening provided for easy access.
- Smooth, well-rounded conduit stop in each hub to protect conductor insulation.
- Five different conduit hub arrangements.
- Furnished with mounting lugs.
- Copper-free aluminium construction for corrosion resistant.

Standard Materials:

- Body and cover - Copper-free aluminium
- Bolts - Stainless steel

Standard Finishes:

- Copper-free aluminium - Epoxy-polyester powder
- Gasket ☆ - Natural

Options :

- ☆ Seal gasket, add suffix - **G** to Cat.,No.
- 2.1/2 to 4 inches NPT size are available on request.
- *1** Seal gasket for raintight fit is optional.



RBB



RBC



RBL



RBT



RBX



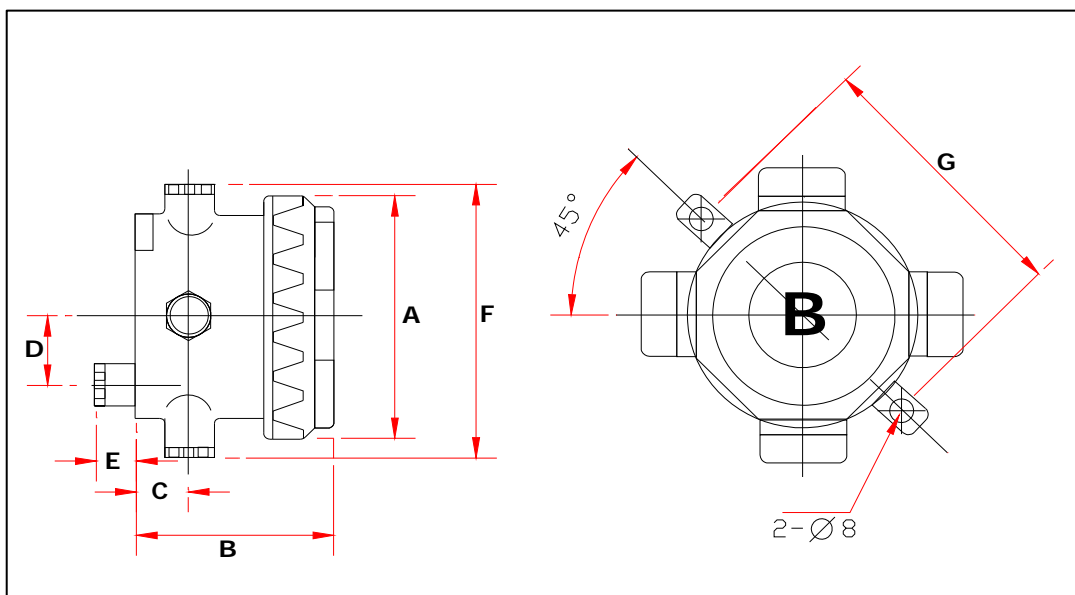
Conduit Outlet Bodies

RB Round Boxes

EXPLOSIONPROOF

For UL.60079-1 Standard Class I,II Div.1 and 2 Groups C,D,E,F and G

For IEC.60079-0/1 Standard Zone 1 and Zone 2



Hub Size. NPT (inch)	Cat.,No.					Dimension in mm.						
						A	B	C	D✦	E✦	F	G
1/2"	RBB 1	RBC 1	RBL 1	RBT 1	RBX 1	95	80	19	17	23	133	111
3/4"	RBB 2	RBC 2	RBL 2	RBT 2	RBX 2	95	80	19	17	23	133	111
1"	RBB 3	RBC 3	RBL 3	RBT 3	RBX 3	95	80	19	17	23	133	111
1.1/4"	RBB 4	RBC 4	RBL 4	RBT 4	RBX 4	136	115	37	35	28	170	151
1.1/2"	RBB 5	RBC 4	RBL 5	RBT 5	RBX 5	136	115	37	35	28	170	151
2"	RBB 6	RBC 6	RBL 6	RBT6	RBX 6	136	115	37	35	28	170	151

✦ Dimension only for **RBB** Type



Conduit Outlet Bodies

ERB Round Boxes



EXPLOSIONPROOF

For UL.60079-1 Standard Class I,II Div.1 and 2 Groups C,D,E,F and G

For IEC.60079-0/1 Standard Zone 1 and Zone 2

Technical data

- Type of Protection: Ex d IIA T6
- Conforming to : Standards IEC 60079-1 or UL 60079-1
- Marking for test : Ex II2G
- Degree of Protection : IP67 acc.To IEC 60529
- Ambient Temp. (Ta) : -20 °C to+ 55 °C
- Type :ERB
- Protection class for UL. : Class I, Division1 or 2 Group.C,D
Class II, Division 1 or 2 Groups.E,F,G
Class III
- Protection class for IEC : Zone1and Zone 2
- Options : Seal NBR rubble IP67 at inner cover for outdoor
- Conduit hub - 1/2" - 1" NPT.

Applications:

- The ERB round boxes are designed for use in the conduit system in hazardous areas to
- provide opening for tap, splice or pull outlet for conductors.
 - provide an access to conduit system for maintenance.
 - change conduit direction.
 - use with threaded rigid steel conduit (RSC) or intermediate metal conduit (IMC).
 - use in indoor or outdoor*1 in damp, wet or corrosive locations.

Features:

- Compact rectangular shape.
- Threaded cover opening provided for easy access.
- Smooth, well-rounded conduit stop in each hub to protect conductor insulation.
- Five different conduit hub arrangements.
- Furnished with mounting lugs.
- Copper-free aluminium construction for corrosion resistant.

Standard Materials:

- | | |
|------------------|-------------------------|
| - Body and cover | - Copper-free aluminium |
| - Bolts | - Stainless steel |

Standard Finishes:

- | | |
|-------------------------|--------------------------|
| - Copper-free aluminium | - Epoxy-polyester powder |
| - Gasket ☆ | - Natural |

Options :

- ☆ Seal gasket, add suffix - **G** to Cat.,No.
- *1 Seal gasket for raintight fit is optional.



ISO9001:2008



ERBC



ERBL



ERBT



ERBX

Connection terminals 1.5 - 4Squmm.

Standard Finishes:

- Rated voltage: max.500V.
- Rated current: max.32A.
- (as per equipment specification)



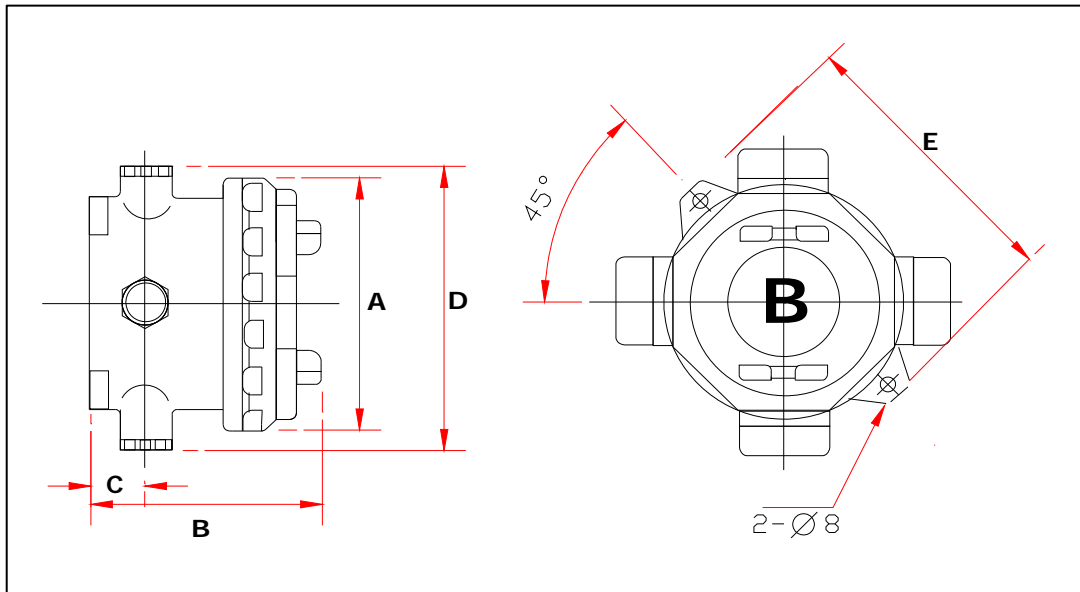
Conduit Outlet Bodies

ERB Round Boxes

EXPLOSIONPROOF

For UL.60079-1 Standard Class I,II Div.1 and 2 Groups C,D,E,F and G

For IEC.60079-0/1 Standard Zone 1 and Zone 2



Hub Size. NPT (inch)	Cat.,No.				Dimension in mm.					Approx. Weight (kgs.)
					A	B	C	D	E	
1/2"	ERBC 1	ERBL 1	ERBT 1	ERBX 1	98	85	21	135	120	0.68
3/4"	ERBC 2	ERBL 2	ERBT 2	ERBX 2	98	85	21	135	120	0.76
1"	ERBC 3	ERBL 3	ERBT 3	ERBX 3	98	85	21	135	120	0.87
M20 x 1.5	ERBC1M	ERBL1M	ERBT1M	ERBX1M	98	85	21	135	120	0.68
M25 x 1.5	ERBC2M	ERBL2M	ERBT2M	ERBX2M	98	85	21	135	120	0.76
M32 x 1.5	ERBC3M	ERBL3M	ERBT3M	ERBX3M	98	85	21	135	120	0.87

JBB Junction Boxes

B
Bosston
 A QUALITY PRODUCT

EXPLOSIONPROOF

For UL.60079-1 Standard Class I,II Div.1 and 2 Groups C,D,E,F and G

For IEC.60079-0/1 Standard Zone 1 and Zone 2



ISO9001:2008

Technical data

Type of Protection: Ex d IIA ,IIB T6

Conforming to : Standards IEC 60079-1 or UL 60079-1

Marking for test : Ex II2G

Degree of Protection : IP65 without seal O-ring

IP 66 with seal O-ring

acc.to IEC 60592

Ambient Temp. (Ta) : -20°C to+ 55 °C

Type : JBB

Protection class for UL. : Class I, Division1 or 2 Group.C,D

Class II, Division 1 or 2 Groups.E,F,G

Class III

Protection class for IEC : Zone1and Zone 2



Applications:

The JBB junction boxes are designed for use in hazardous areas where flammable gases, dusts or flying fibers are present.

to provide openings for taps, splices or pull box.

to enclose terminals, meters, relays or other electrical devices.

in indoor or outdoor *1 in damp or wet locations or certain corrosive environments.

Suffix added to Cat., No.

Features:

- High tensile strength copper free aluminium bodies with corrosion resistant.
- Rectangular shape, bolted cover,
- Designed to maximize the internal volume.
- Conduit openings drilled as per customer requirements.
- Provided with mounting lugs.
- Rated voltage max. 800V.AC. (as per equipment specification)

Options :

Hinges and handle	H
Mounting plate	M
O-Ring gasket : Silicone -40°C to + 175°C	G
Drain fitting	D
Terminal blocks	T
(information is requested)	
M8 Earth stud bolts with terminal lug for external ground	
Stopping plug for entries thread	
Glass windows	

Standard Materials:

- Body and cover - Copper-free aluminium
- Bolts - Stainless steel
- Hinge # - Aluminium or Bronze
- Handle # - Stainless steel
- Mounting plate # - Steel
- Gasket # - Neoprene

Standard Finishes:

- Copper-free aluminium - Epoxy-polyester powder
- Stainless steel - Natural
- Bronze - Epoxy-polyester powder
- Steel - Zinc electro-plated

* 1 O-Ring for raintight fit is optional.



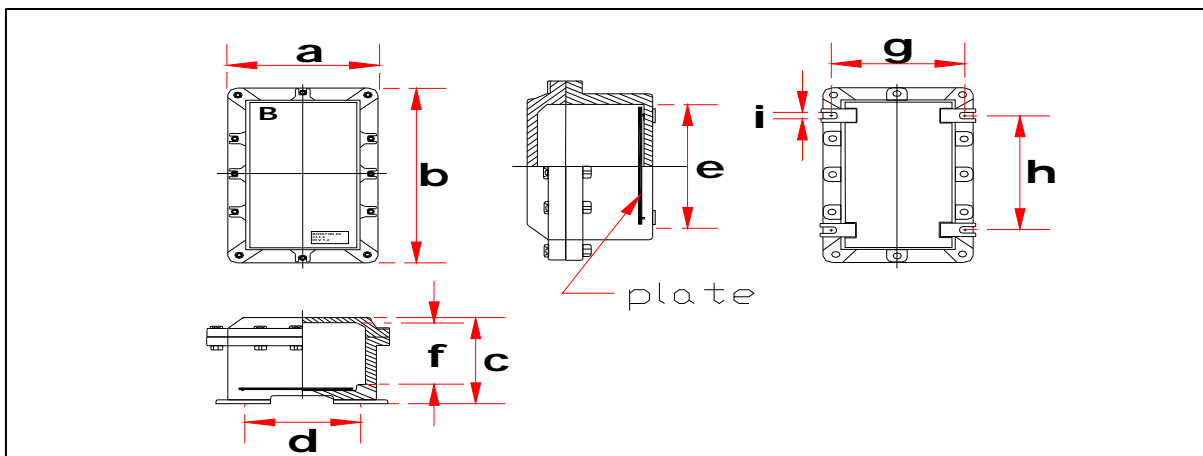
JBB Junction Boxes

EXPLOSIONPROOF

For UL.60079-1 Standard Class I,II Div.1 and 2 Groups C,D,E,F and G

For IEC.60079-0/1 Standard Zone 1 and Zone 2

Catalogue Number and Dimensions:



Cat.,No.	Outside box Dimensions (mm.)			Inside box Dimensions (mm.)			Mounting Lugs Dimensions (mm.)			Maximum Conduit Size, NPT (inch)
	a	b	c	d	e	f	g	h	i	
JBB 333	89	89	85	73	73	76	-	-	-	3/4"
JBB 354	87	133	109	80	122	82	65	155	7.5	3/4"
JBB 4105	106	252	126	87	234	97	70	275	7.5	1
JBB 4125	106	320	125	90	305	119	70	343	7.5	1
JBB 584	141	196	103	93	137	89	140	130	13	1
JBB 685	157	209	143	93	143	122	145	140	16	1.1/4
JBB 6103	157	254	85	93	187	65	145	190	16	1.1/4
JBB 6145	157	360	132	85	287	101	160	270	16	1
JBB 886	211	211	165	140	140	141	200	130	16	1.1/4
JBB 8106	222	254	145	137	187	122	200	170	16	1.1/4
JBB 8126	205	313	145	144	242	115	230	215	16	1.1/4
JBB 9146	228	363	148	150	275	145	230	250	16	1.1/4
JBB 9167	245	410	180	167	319	148	250	300	16	2.1/2
JBB 9187	230	457	190	140	366	164	220	315	16	2.1/2
JBB 10207	254	508	222	159	412	184	250	375	16	2.1/2
JBB 12126	314	314	168	234	234	147	225	230	16	1.1/4
JBB 13219	332	535	245	249	449	207	330	395	16	3
JBB 151510	381	381	265	288	288	224	235	380	16	4
JBB 16209	405	507	230	319	419	187	410	395	16	3
JBB 162610	405	660	258	305	558	219	400	510	16	4
JBB 162910	405	725	260	305	625	219	420	575	16	4
JBB 18189	457	457	222	353	353	180	275	445	16	4
JBB 20209	556	556	230	420	420	190	360	490	16	3
JBB 20249	500	664	220	409	509	179	485	475	16	3
JBB 202414	500	664	360	409	509	320	485	475	16	4
JBB 203210	508	810	260	405	720	201	510	605	16	4
JBB 203611	519	924	302	420	820	252	530	775	16	4
JBB 252511	645	645	280	550	550	252	505	630	16	4
JBB 284411	700	1100	285	610	1010	252	700	400	16	4

JBE Junction Boxes

EXPLOSIONPROOF

For UL.60079-1 Standard Class I Div. 2 Groups B,C,D

Class II Div. 1 and 2 Groups E,F,G

For IEC.60079-1 / 15 Standard Zone 1 and Zone 2

Technical data

Type of Protection: Ex d IIA T6

Conforming to : Standards IEC 60079-1/ 15 or UL 60079-1/15

Marking for test : Ex II2G

Degree of Protection : IP54 without seal O-ring

IP 66 with seal O-ring

acc.to IEC 60592

Ambient Temp. (Ta) : -20°C to+ 55 °C

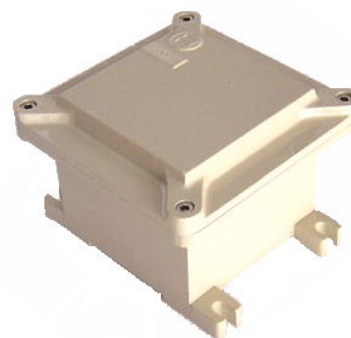
Type : JBE

Protection class for UL. : Class I, Division 2 Group.B,C,D

Class II, Division 1 or 2 Groups.E,F,G

Class III

Protection class for IEC : Zone1and Zone 2



Applications:

JBE boxes are constructed according to the increased safety explosionproof type. These boxes mainly serve as the junction boxes for cable connection, or pull and splice boxes. The enclosure may also serve to house electrical component such as switches, circuit breakers, contactors, control units, relays, terminal blocks, measuring and indicating devices.

Features:

- Copper-free aluminium construction and coated with epoxy-polyester powder for corrosion resistant.
- Stainless steel bolts.
- Optional silicone gasket for excellence waterproof.
- Optional steel plate provided for equipment mounting.
- Optional provided with terminal blocks for 1.5 Squmm. To 40 Squmm. Or copper bus bar for junction box.
- Openings provide for direct cable or conduit entries in NPT or ISO threads with optional stopping plugs for unused thread.
- Optional provided with M8 earth stud bolt.
- Optional provided with glass windows.

Standard Materials:

- Body and cover - Copper-free aluminium alloy with epoxy-polyester power
- Seal gasket - Silicone -40°C to + 175°C
- Lid screws - Stainless steel

Explosion Category:

- UL. IIA T6 for Zone 2 (UL.60079-15)
- IEC IIA T6 for DUST Zone 1 (IEC 60097-1)
- IEC IIA T6 for Zone 2 (IEC 60079-15)

Option

- M8 Earth stud bolts with terminal lug for external ground
- Stopping plug for entries thread
- Glass windows

JBE Junction Boxes



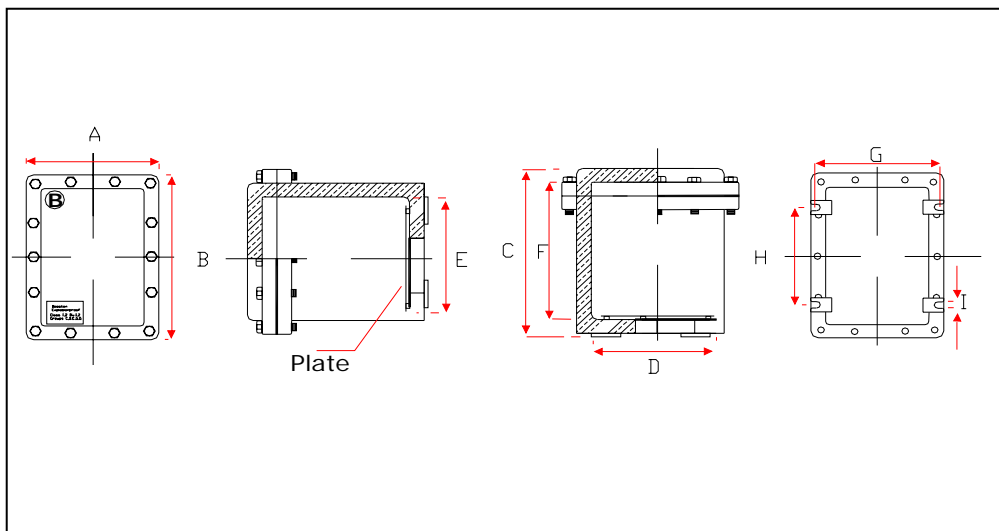
EXPLOSIONPROOF

For UL.60079-1 Standard Class I Div. 2 Groups B,C,D

Class II Div. 1 and 2 Groups E,F,G

For IEC.60079-1 / 15 Standard Zone 1 and Zone 2

Catalogue Numbers and Dimensions: in mm.



Cat.,No.	Outside box			Inside box			Mounting Lugs			Maximum	Conduit Size	Approx. Weight
	a	b	c	d	e	f	g	h	i	NPT (inch)	ISO	(kgs.)
JBE 885												
JBE 9116	242	292	163	165	215	107	218	135	10	2"	M63	11.80
JBE 9148	238	347	213	183	294	163	185	133	10	4"	M90	15.00
JBE 10158	256	377	195	174	295	179	225	179	10	4"	M90	15.60
JBE 10207	256	510	148	174	482	151	224	308	12	2"	M63	19.50
JBE 11158	298	402	222	217	321	167	275	197	12	4"	M90	19.80
JBE 12128	296	296	213	215	215	171	217	134	10	4"	M90	12.00
JBE 121819	308	459	224	220	376	199	274	239	12	4"	M90	26.00
JBE 12239	306	530	217	221	445	179	378	363	12	4"	M90	33.70
JBE 132610	337	662	243	250	575	201	307	407	12	4"	M90	41.20
JBE 15309	375	767	226	290	682	191	342	503	15	4"	M90	48.30
JBE 162011	410	512	280	323	425	237	375	274	12	4"	M90	41.80
JBE 162511	416	626	383	337	535	239	470	310	15	4"	M90	56.20
JBE 173111	442	778	269	350	686	226	427	479	15	4"	M90	61.10
JBE 173511	440	884	270	351	795	260	432	587	15	4"	M90	70.00
JBE 202011	520	520	281	426	426	221	515	275	15	4"	M90	54.20
JBE 222811	579	733	285	481	635	220	570	440	15	4"	M90	86.00
JBE 223511	560	872	270	456	768	224	530	592	15	4"	M90	83.50
JBE 224111	558	1052	270	455	949	224	533	765	15	4"	M90	102.50
JBE 232311	567	567	281	482	482	225	560	301	15	4"	M90	68.60
JBE 254511	632	1156	271	510	1034	221	588	667	15	4"	M90	127.00
JBE 273811	683	958	283	558	833	235	638	655	15	4"	M90	116.50
JBE 292911	742	742	290	638	638	231	716	438	15	4"	M90	105.60
JBE 293611	754	914	302	638	798	225	731	570	15	4"	M90	156.00
JBE 314314	776	1089	355	646	959	294	732	580	15	4"	M90	199.00