

AFE 1 Floodlights



TIS 1955-2542

Technical data

ISO9001:2008

Type of Protection: Ex de IIA T3 - T5
 Conforming to : Standards IEC 60079-0 to 1 or UL 60079-1
 Marking for test : Ex II2G
 Degree of Protection : IP 66 / 67 acc.To IEC 60529
 Ambient Temp. (Ta) : -20 °C to+ 55 °C
 Rated Voltage : 220-240V.AC. 50/60Hz.
 Type : AFE
 Lamp : Mercury vapour ,High pressure sodium and Metal halide
 Lamp holder : E40
 Transparent cover : Borosilicate glass
 Protection class for UL. : Class I, Division1 or 2 Group.C,D
 Class II, Division1 or 2 Groups.E,F,G
 Class III
 Protection class for IEC : Zone1and Zone 2

Applications:

The *AFE1* For use hazardous locations due to the presence of flammable gases or vapors, combustible dusts or flying fibers. illumination in process plants, oil refineries, petrochemical plants, aircraft servicing areas, pump stations, storage areas where hazardous substances are handled. indoor, outdoor or wet and corrosive locations.

Features:

- Compact fixture size and easy installation.
- Integral ballast, ignitor and condenser in fixture body.
- Multi-finned out side for maximum heat dissipation.
- Two pieces hinge, and gasket provided on the flange cover to protect against the ingress of dust or leakage of liquid.
- Permanently installed with adjustable bracket to provide rotation of wide angle in vertical.
- Long life ballast with Class H insulation wire.
- Terminal block suitable for 4Squmm. Cable and one earth Terminal are provided.

Standard Materials:

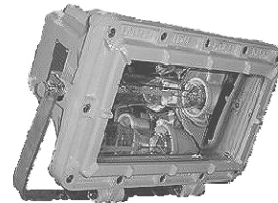
- Fixture body - Copper-free aluminium
- Lens - Heat and impact resistant clear glass
- Bracket - Stainless steel
- Reflector - Anodized aluminium
- Hinge , bolts - Stainless steel

Standard Finishes:

- Copper-free aluminium - Epoxy-polyester power.
- Stainless steel - Natural
- Anodized aluminium - Natural



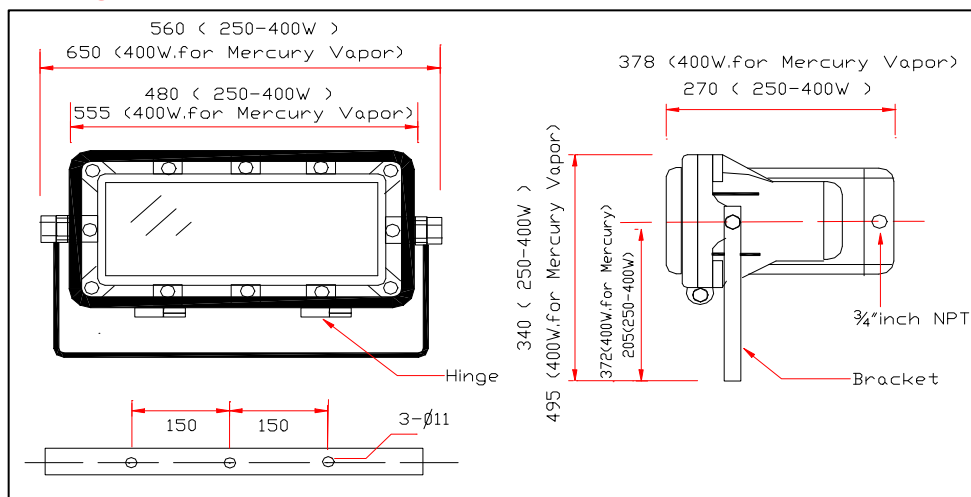
AFE1 250 250-400 W.
for Mercury Lamp



AFE1 250 -400 W.
for Metal and Sodium Lamp

Lamp Watts	Temp. Class (Surface Temp.)		Cat. No.
	40 C Ta	55 C Ta	
Mercury Vapor			
250	T4	T3C	AFE1 250M
400	T3A	T3	AFE1 400M
High Pressure Sodium			
250	T4	T3C	AFE1 250S
400	T3C	T3B	AFE1 400S
Metal Halide			
250	T4	T3C	AFE1 250H
400	T3C	T3A	AFE1 400H

Catalogue Numbers and Dimensions:





FHG Halogen Lamp

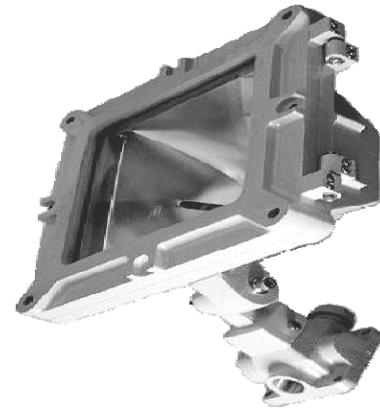
Certification Number:



ISO9001:2008

Technical data

- Type of Protection: Ex de IIA T1 - T3
- Conforming to : Standards IEC 60079-0 to 1 or UL 60079-1
- Marking for test : Ex II2G
- Degree of Protection : IP 65 acc.To IEC 60529
- Ambient Temp. (Ta) : -20°C to+ 55°C
- Rated Voltage : 220-240V.AC. 50/60Hz.
- Type : FHG
- Lamp : Halogen
- Transparent cover : Borosilicate glass
- Protection class for UL. : Class I, Division1 or 2 Group.C,D
Class II, Division1 or 2 Groups.E,F,G
Class III
- Protection class for IEC : Zone1and Zone 2



Applications:

FHG lighting fixtures are permanently installed to provide general illumination in locations having hazardous atmospheres, such as :

- process plants
- Benzene plants
- Methane plants
- outdoor or wet and corrosive locations.

Standard Materials:

- Fixture body - Copper-free aluminium
- Lens - Heat and impact resistant clear glass
- Bracket - Brass - Epoxy-polyester powder
- Reflector - Anodized aluminium
- Hinge , bolts - Stainless steel

Standard Finishes:

- Copper-free aluminium - Epoxy-polyester power.
- Brass,Stainless - Natural
- Anodized aluminium - Natural

Features:

- FHG quartz lighting fixtures have :
- rugged and compact design
 - door which includes threaded lens ring that encloses heat and impact-resistant glass lens
 - the base joined to housing by factory sealed coupling
 - an access door in base for wiring and positioning
 - a one-piece reflector, precision-formed with polished or etched surface

Lamp Watts	Temp. Class (Surface Temp.)		Cat. No.
	40 C Ta	55 C Ta	
300	T3C	T3B	FHG0300
500	T3C	T2D	FHG0500
1000	T2B	T2A	FHG01000
1500	T1	T1	FHG01500

Catalogue Numbers and Dimensions:

