



H.I.D. HIGH INTENSITY DISCHARGE LIGHTING FIXTURES

Certification Number:



TIS 1955-2542



ISO9001:2008

Technical data

Type of Protection: Ex de IIA T3 - T5

Conforming to : Standards IEC 60079-0 to 1 or UL 60079-1

Marking for test : Ex II2G

Degree of Protection : IP 66 acc.To IEC 60529

Ambient Temp. (Ta) : -20°C to+ 55°C

Rated Voltage : 220-240V.AC. 50/60Hz.

Type : E

Lamp : Mercury vapour ,High pressure sodium and Metal halide

Lamp holder : E27 , E40

Transparent cover : Borosilicate glass

Protection class for UL. : Class I, Division1 or 2 Group.C,D

Class II, Division1 or 2 Groups.E,F,G

Class III

Protection class for IEC : Zone1and Zone 2

Applications:

The *H.I.D.* For use

hazardous locations due to the presence of flammable gas or vapors,
combustible dusts. Refineries, petrochemical plants, and in other process areas.

Indoor or outdoor in wet and corrosive locations.



CEILING



PENDANT



BRACKET

Features:

- Factory sealed,no external seals required, easy installation.
- Fixture body is made from copper free aluminium alloy for high corrosion resistant.
- Multi-finned out side for maximum heat dissipation.
- Heat and impact resistant glass globe.
- Stainless steel guard for high corrosion resistant.
- Ease of relamping.
- Terminal block suitable for 4 squmm. Cable and one earth terminal are provided.
- Ballast meet EN61000-3-2 , EN55015 ,EN60923



REFLECTOR



BALLAST HOUSING

Standard Materials:

- Body and ballast housing - Copper-Free aluminium
- Globe - Heat and impact resistant glass
- Guard - Stainless steel
- Reflector - Aluminium

Options:

- Stainless steel bracket add - suffix - *B*
- Guard (Stainless steel) add - suffix - *S*
- Reflector (aluminium or Stainless steel), add suffix - *R*
- Emergency power pack, add- suffix - *E*

Standard Finishes:

- Copper-free aluminium - Epoxy-polyester power coated.
- Stainless steel - Natural
- Sheet - Epoxy - polyester powder coated.

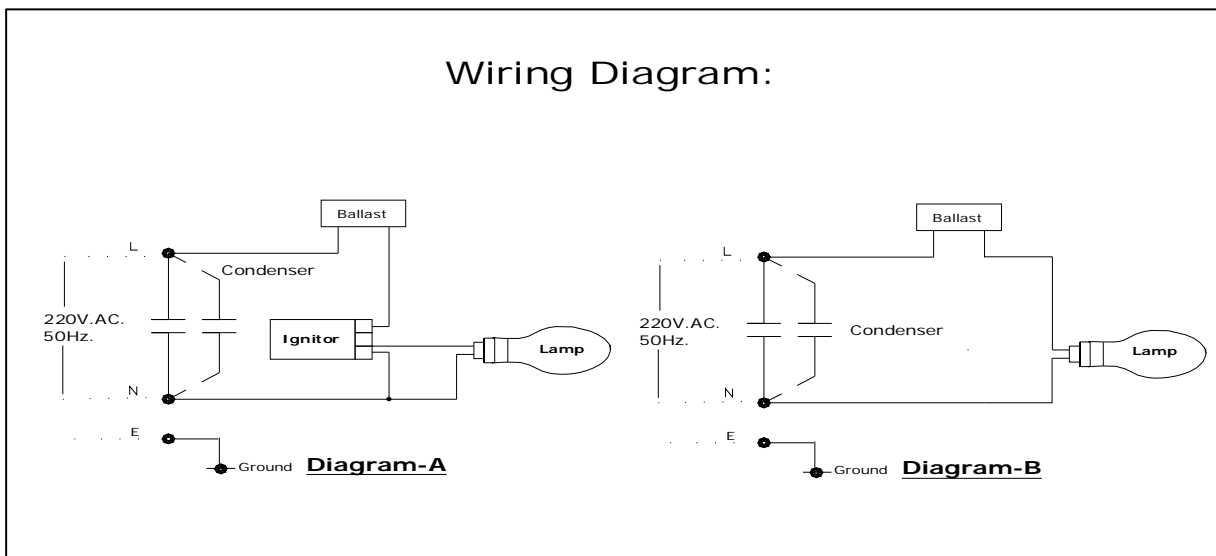


H.I.D. HIGH INTENSITY DISCHARGE LIGHTING FIXTURES

EXPLOSIONPROOF

For UL.60079-1 Standard Class I, II Div.1 and 2 Groups C,D,E,F and G

For IEC.60079-0/1 to 1 Standard Zone 1 and Zone 2



Catalogue Numbers:

Lamp Type	Lamp Watts	Hub Size NPT.(inch)	wiring Diagram	Cat.,No.				Lamp Holders.
				Ceiling Type	Pendant Type	Bracket Type	Stanchion Type	
Mercury Vapor	80	1/2",3/4"	Diagram-B	EMV 80 C	EMV 80 P	EMV 80 B	EMV 80 S	E 27
	125	1/2",3/4"	Diagram-B	EMV 125 C	EMV 125 P	EMV 125 B	EMV 125 S	E 27
	250	1/2",3/4"	Diagram-B	EMV 250 C	EMV 250 P	EMV 250 B	EMV 250 S	E 40
	400	3/4"	Diagram-B	EMV 400 C	EMV 400 P	EMV 400 B	EMV 400 S	E 40
High Pressure	70	1/2",3/4"	Diagram-B	EPS 70 C	EPS 70 P	EPS 70 B	EPS 70 S	E 27
Sodium	150	1/2",3/4"	Diagram-A	EPS 150 C	EPS 150 P	EPS 150 B	EPS 150 S	E 40
	250	1/2",3/4"	Diagram-A	EPS 250 C	EPS 250 P	EPS 250 B	EPS 250 S	E 40
	400	3/4"	Diagram-A	EPS 400 C	EPS 400 P	EPS 400 B	EPS 400 S	E 40
Metal Halide	250	1/2",3/4"	Diagram-A	EMH 250 C	EMH 250 P	EMH 250 B	EMH 250 S	E 40
	400	3/4"	Diagram-B	EMH 400 C	EMH 400 P	EMH 400 B	EMH 400 S	E 40

Type	Ceiling	Pendan	Bracket	Ceiling	Pendant	Bracket	Ceiling	Pendant	Bracket
Lamp Watts.	70 - 125			150 - 250			400		
Weight (kgs.)	5.20	4.50	6.80	9.20	8.20	10.20	11.00	10.00	12.20
Ballast Housing (watts)	70 - 125			150 - 250			400		
Weight (kgs.)	7.6			9.6			10.6		





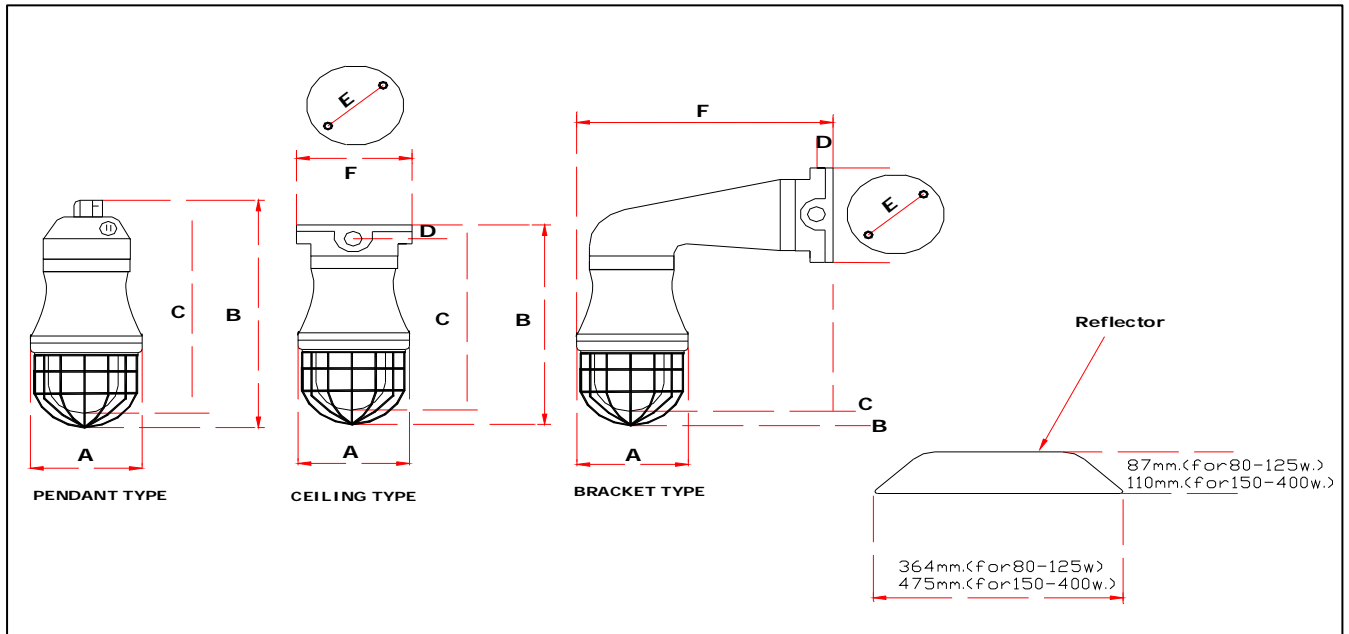
H.I.D. HIGH INTENSITY DISCHARGE LIGHTING FIXTURES

EXPLOSIONPROOF

For UL.60079-1 Standard Class I, II Div.1 and 2 Groups C,D,E,F and G

For IEC.60079-0/1 to 1 Standard Zone 1 and Zone 2

Dimension In MM.



Pendant Type and

Lamp watts	Stanchion Type			Ceiling Type						Bracket Type						
	A	B	C	A	B	C	D	E	F	A	B	C	D	E	F	
Mercury Vapor																
80 ,125w.	188	340	300	188	320	278	30	127	156	188	245	200	30	127	398	
250w.	250	480	464	250	463	446	42	128	156	250	543	518	42	128	532	
400w.	293	528	472	293	468	411	30	144	176	293	560	500	30	174	390	
High Pressure																
Sodium																
70w.	188	340	300	188	320	278	30	127	156	188	245	200	30	127	398	
150 ,250w.	250	480	464	250	463	446	42	128	156	250	543	518	42	128	532	
400w.	293	528	472	293	468	411	30	144	176	293	560	500	30	174	390	
Metal Halide																
250w.	250	480	464	250	463	446	42	128	156	250	543	518	42	128	532	
400w.	293	528	472	293	468	411	30	144	176	293	560	500	30	174	390	

Note.

* The lighting fixture is inclusively supplied ballast housing and other fittings for installation.



HID. HIGH INTENSITY DISCHARGE LIGHTING FIXTURES

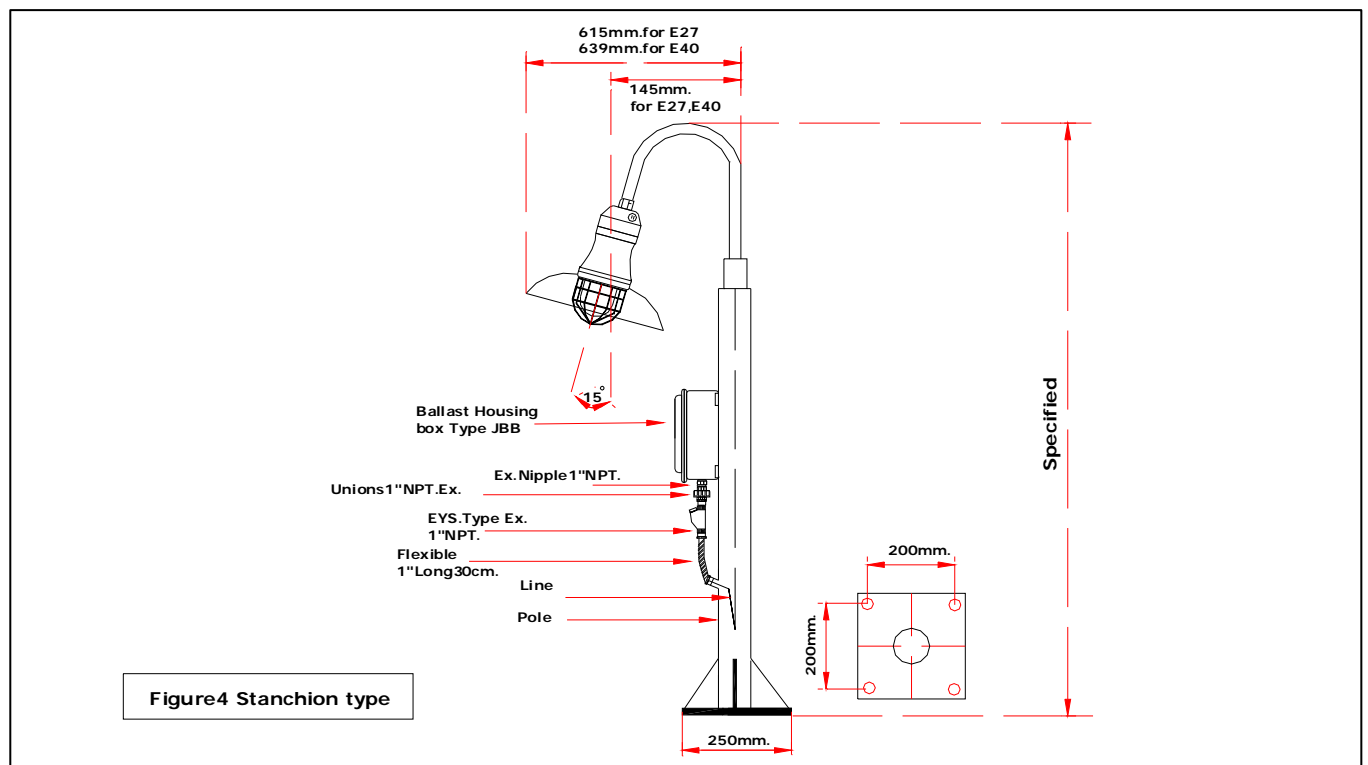
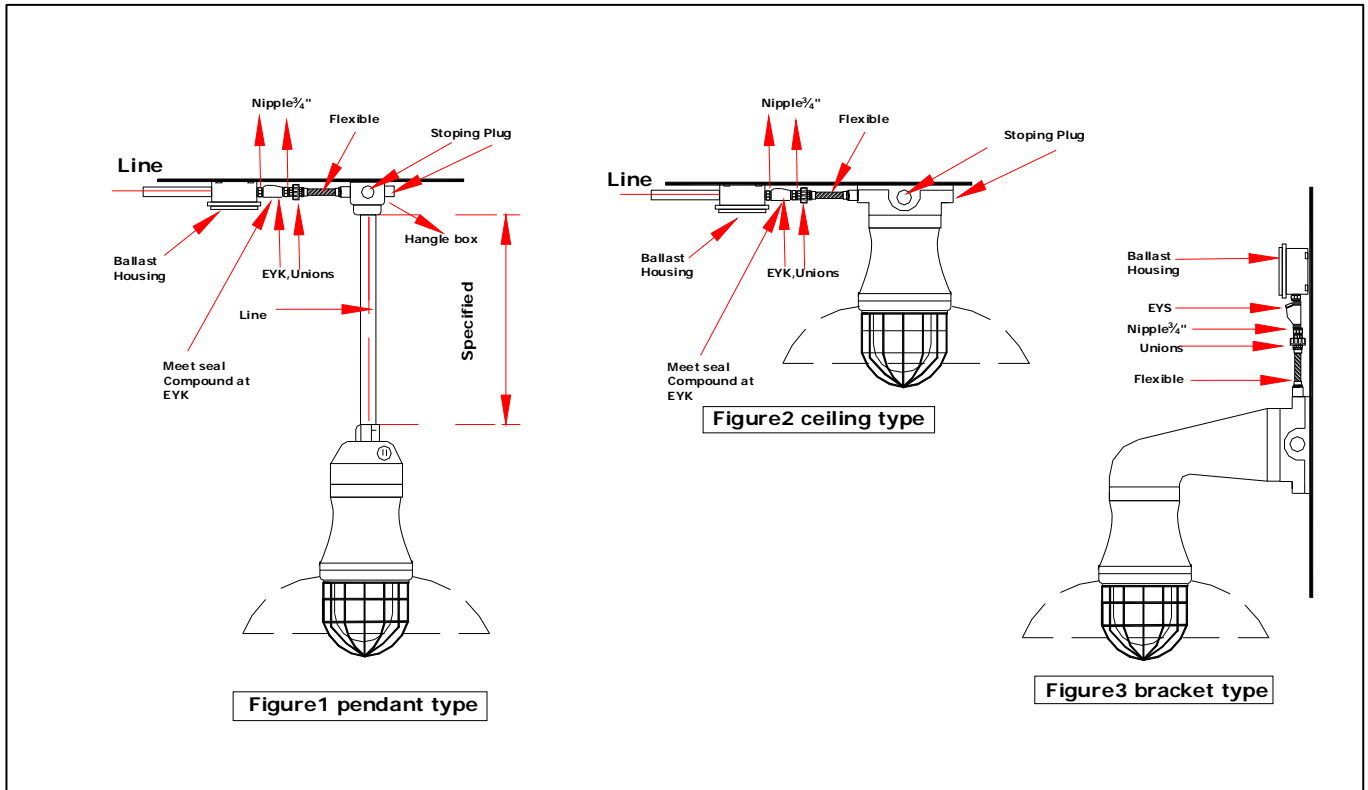
EXPLOSIONPROOF

For UL.60079-1 Standard Class I, II Div.1 and 2 Groups C,D,E,F and G

For IEC.60079-0/1 to 1 Standard Zone 1 and Zone 2



Typical Installations

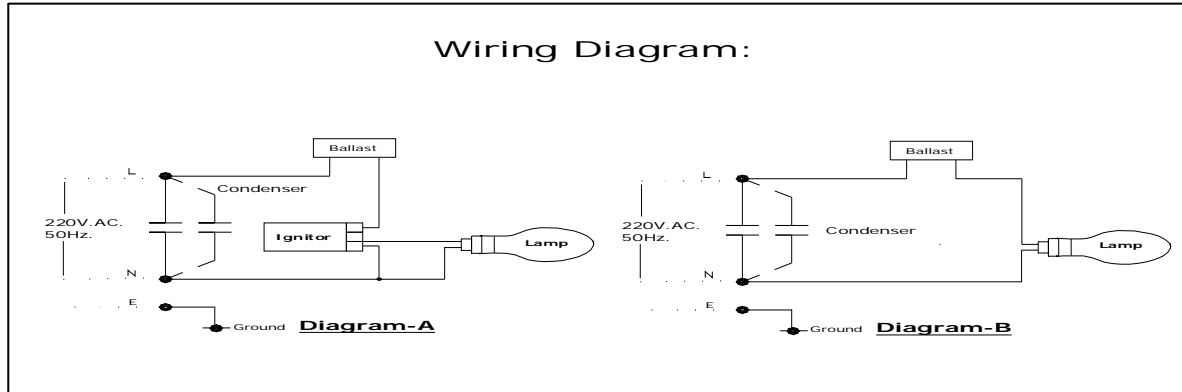


H.I.D. HIGH INTENSITY DISCHARGE LIGHTING FIXTURES

EXPLOSIONPROOF

For UL.60079-1 Standard Class I,II Div.1 and 2 Groups C,D,E,F and G

For IEC.60079-0/1 to 1 Standard Zone 1 and Zone 2



Catalogue Numbers:

Lamp Type	Lamp Watts	Hub Size NPT.(inch)	wiring Diagram	Temp.Class(Surface Temp.)		Catalogue Number				Lamp Holders.
				40 C Ta	55 C Ta	Pendant	Bracket	Stanchion	Ballast Housing	
Mercury Vapor	80	1/2"	Diagram-B	T5	T5	HMV 80P	HMV 80B	HMV 80S	BAL MV 80	E 27
	125	1/2"	Diagram-B	T5	T5	HMV 125P	HMV 125B	HMV 125S	BAL MV 125	E 27
	250	3/4"	Diagram-B	T4	T3C	HMV 250P	HMV 250B	HMV 250S	BAL MV 250	E 40
	400	3/4"	Diagram-B	T3A	T3	HMV 400P	HMV 400B	HMV 400S	BAL MV 400	E 40
High Pressure Sodium	70	1/2"	Diagram-B	T5	T5	HPS 70P	HPS 70B	HPS 70S	BAL PS 80	E 27
	150	3/4"	Diagram-A	T4	T4	HPS 150P	HPS 150B	HPS 150S	BAL PS 125	E 40
	250	3/4"	Diagram-A	T4	T3C	HPS 250P	HPS 250B	HPS 250S	BAL PS 250	E 40
	400	3/4"	Diagram-A	T3C	T3A	HPS 400P	HPS 400B	HPS 400S	BAL PS 400	E 40
Metal Halide	250	3/4"	Diagram-A	T3	T2D	HMH 250P	HMH 250B	HMH 250S	BAL MH 250	E 40
	400	3/4"	Diagram-B	T3B	T3A	HMH 400P	HMH 250B	HMH 400S	BAL MH 400	E 40
Mercury Tungsten	160	1/2"	-	T4A	T4A	HMT 160P	HMT 160B	HMT 160S	-	E 27
	250	3/4"	-	T3C	T3C	HMT 250P	HMT 250B	HMT 250S	-	E 40

Type	Pendant	Bracket		Pendant	Bracket		Pendant	Bracket
Lamp Watts.	70 - 125			250			400	
Weight (kgs.)	5.30	6.00		8.8	11.20		12.00	13.00
Ballast Housing (watts)	70 - 125			250			400	
Weight (kgs.)	7.60			9.60			10.60	

H.I.D. HIGH INTENSITY DISCHARGE LIGHTING FIXTURES



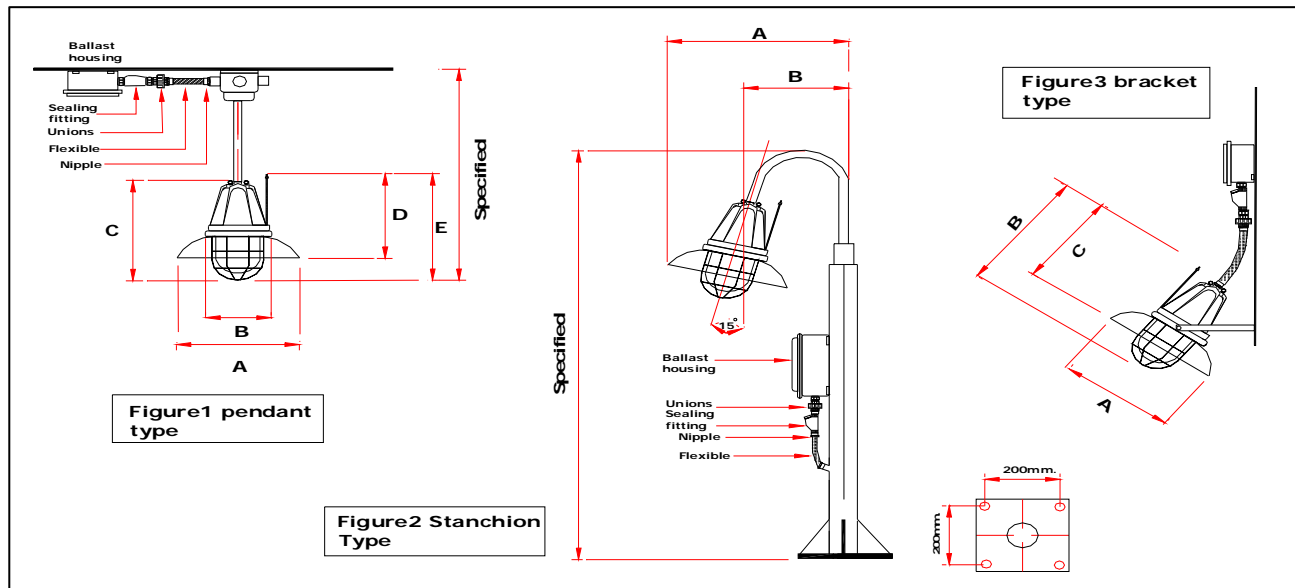
A QUALITY PRODUCT

EXPLOSIONPROOF

For UL.60079-1 Standard Class I,II Div.1 and 2 Groups C,D,E,F and G

For IEC.60079-0/1 to 1 Standard Zone 1 and Zone 2

Dimension In MM.



Lamp watts	Stanchion Type		Pendant Type					Bracket Type		
	A	B	A	B	C	D	E	A	B	C
Mercury Vapor										
80 ,125w.	740	415	364	230	376	345	308	364	308	345
250w.	740	415	364	292	449	359	449	364	449	359
400w.	780	415	475	340	497	407	497	475	497	407
High Pressure Sodium										
70w.	740	415	364	230	376	345	308	364	308	345
150 ,250w.	740	415	364	292	449	359	449	364	449	359
400w.	780	415	475	340	497	407	497	475	497	407
Metal Halide										
250w.	740	415	364	292	449	359	449	364	449	359
400w.	780	415	475	340	497	407	497	475	497	407
Mercury Tungsten										
160w.	740	415	364	292	449	359	449	364	449	359
250w.	780	415	475	340	497	407	497	475	497	407

Note:

* The lighting fixture is inclusively supplied ballast housing and other fittings for installation.



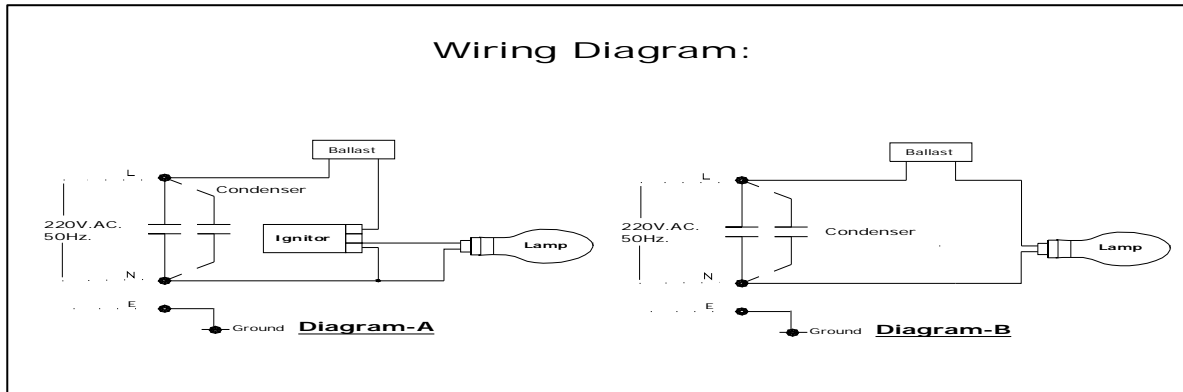
**HAZARD:GARD H.I.D LIGHTING FIXTURES
INTEGRAL BALLAST FACTORY SEALED**



EXPLOSIONPROOF

For UL.60079 - 15 Standard Class I,II Div.2 Groups C,D,E,F and G

For IEC.60079 - 15 Standard Zone 2



Catalogue Numbers:

Lamp Type	Lamp Watts	Hub Size NPT.(inch)	wiring Diagram	Temp.Class		Catalogue Number						Lamp Holders.
				(Surface Temp.)		Pendant	Weight kgs.	Stanchion	Weight kgs.	Bracket	Weight kgs.	
				40 C Ta	55 C Ta							
Mercury Vapor	80	1/2"	Diagram-B	T5	T4	FMV 80P	7.20	FMV 80S	7.80	FMV 80B	7.800	E 27
	125	1/2"	Diagram-B	T5	T4	FMV 125P	7.48	FMV 125S	8.080	FMV 125B	7.480	E 27
	250	3/4"	Diagram-B	T4	T4	FMV 250P	16.80	FMV 250S	17.45	FMV 250B	16.80	E 40
	400	3/4"	Diagram-B	T4	T3	FMV 400P	21.00	FMV 400S	21.50	FMV 400B	21.00	E 40
High Pressure Sodium	70	1/2"	Diagram-B	T5	T5	FPS 70P	7.45	FPS 70S	8.05	FPS 70B	8.05	E 27
	150	3/4"	Diagram-A	T5	T5	FPS 150P	16.88	FPS 150S	17.48	FPS 150B	16.88	E 40
	250	3/4"	Diagram-A	T4	T4	FPS 250P	17.08	FPS 250S	18.18	FPS 250B	17.08	E 40
	400	3/4"	Diagram-A	T4	T3	FPS 400P	21.48	FPS 400S	21.98	FPS 400B	21.48	E 40
Metal Halide	250	3/4"	Diagram-A	T4	T4	FMH 250P	17.08	FMH 250S	18.18	FMH 250B	17.08	E 40
	400	3/4"	Diagram-B	T4	T3	FMH 400P	21.48	FMH 400S	21.98	FMH 400B	21.48	E 40
Mercury	160	1/2"	-	T4A	T4A	FMT 160P	7.45	FMT 160S	8.05	FMT 160B	8.05	E 27
Tungsten	250	3/4"	-	T3C	T3C	FMT 250P	17.08	FMT 250S	21.98	FMT 250B	17.08	E 40



HAZARD:GARD H.I.D LIGHTING FIXTURES INTEGRAL BALLAST FACTORY SEALED

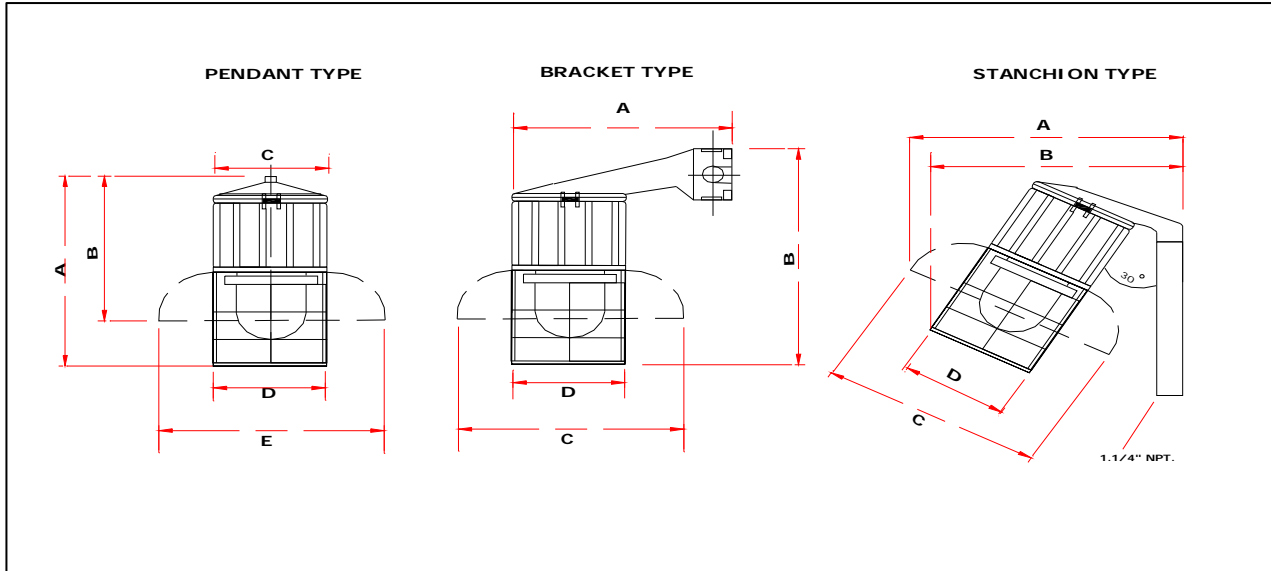


EXPLOSIONPROOF

For UL.60079 - 15 Standard Class I,II Div.2 Groups C,D,E,F and G

For IEC.60079 - 15 Standard Zone 2

Dimension In MM.



Lamp watts	Pendant Type					Bracket Type				Stanchion Type			
	A	B	C	D	E	A	B	C	D	A	B	C	D
Mercury Vapor													
80 ,125w.	438	335	225	165	364	310	458	364	165	485	470	364	165
250w.	460	397	260	205	364	332	485	364	205	475	455	364	205
400w.	525	420	340	285	475	460	535	475	285	590	400	475	285
High Pressure Sodium													
70w.	438	335	225	165	364	310	458	364	165	485	470	364	165
150 ,250w.	460	397	260	205	364	332	485	364	205	475	455	364	205
400w.	525	420	340	285	475	460	535	475	285	590	400	475	285
Metal Halide													
250w.	438	397	260	165	364	332	485	364	205	475	455	364	205
400w.	590	420	340	285	475	460	535	475	285	590	400	475	285
Mercury Tungsten													
160w.	438	335	225	165	364	310	458	364	165	485	470	364	165
250w.	460	397	260	205	364	332	535	364	205	475	400	364	205



EATK Tank Lights



EXPLOSIONPROOF

For UL.60079-1 Standard Class I,II Div.1 and 2 Groups C,D,E,F and G

For IEC.60079-0 to 1 Standard Zone 1 and Zone 2

Technical data

- Type of Protection: Ex d IIA T3 - T4
- Conforming to : Standards IEC 60079-0 to 1 or UL 60079-1
- Marking for test : Ex II2G
- Degree of Protection : IP 66 / 67 acc.To IEC 60529
- Ambient Temp. (Ta) : -20°C to+ 55 °C
- Rated Voltage : 220V.AC. 50/60Hz.
- Type : EATK
- Lamp : 70 w.Halogen,PAR30 ,60 - 100w.Incandescent
- Lamp holder : E27
- Transparent cover : Borosilicate glass
- Protection class for UL. : Class I, Division1 or 2 Group.C,D
Class II, Division1 or 2 Groups.E,F,G
Class III
- Protection class for IEC : Zone1and Zone 2

Applications:

- The EATK tank lights are suitable to
- illuminate the interior of tanks,containers or process vessels where hazardous substance are present.
- suspend over tank porthole by flexible fixture hanger.

Features:

- Compact designed and factory sealed.
- Ease of relamping by unthreaded the fixture cap.
- Heat and impact resistant glass for non effect of thermal shock.



EATK 75



EATK 75S

Standard Materials:

- Body - Copper-free aluminium
- Lens - Heat and impact resistant glass

Standard Finishes:

- Copper-free aluminium - Epoxy-polyester powder

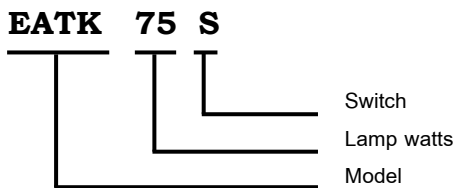
Type Lamps	Lamp Watts	Temp. Class (Surface Temp.)		Cat. No.
		40 C Ta	55 C Ta	
PAR 30	75	T3B	T3A	EATK 75
INCAN	60	T4A	T4A	EATK 60
INCAN	100	T4	T4	EATK 100

Options :

For tank lights and switch, and suffix - s to Cat.,No.

Ordering Information :

Dimension : (in mm.)



ISO9001:2008

